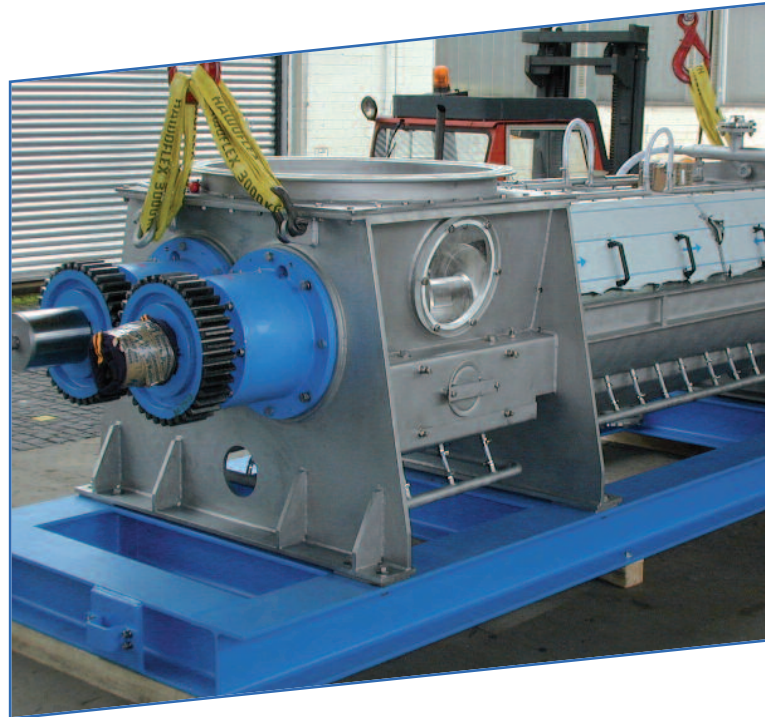


VetterTec Screw Presses

VetterTec Screw Presses

VetterTec screw presses are applied to dewater media containing solids. The product is fed to the pressing section through a feed hopper. In this section, the pressing screw compresses, tumbles and works the product so that water escapes through the screen cages. At the end of the pressing section, the material falls through the discharge hopper thus leaving the press.



Advantages

- / Rugged design
- / Little space required
- / Continuous performance
- / Little wear and tear
- / Universal application
- / Solid support cages for high pressures
- / Little soiling due to conical screen perforation

Special Features

- / Compact construction
- / Up to 60t/h capacity possible
- / Wearing ring
- / Predewatering screen in the feed hopper
- / Product contact parts of stainless steel
- / Optional fully armoured screw design
- / ATEX-design is possible
- / GOST-R certification

VetterTec Screw Presses

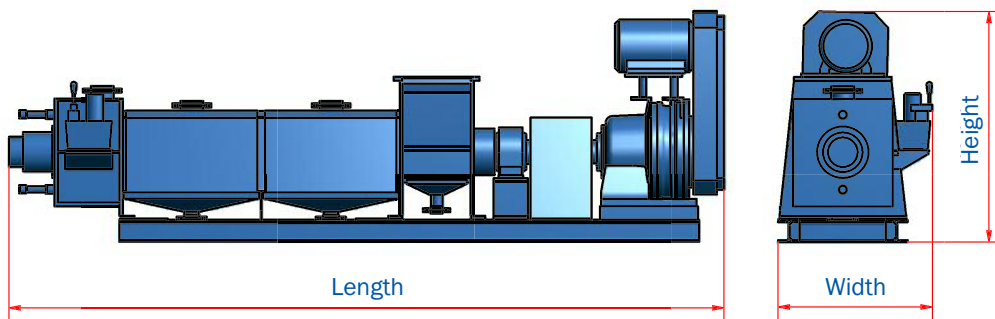
VetterTec Screw Presses

VetterTec screw presses are used in a wide range of applications. Predominantly, they are used for mechanical dewatering, but also to wash out soluble parts of a product.

For optimal operation, each press is especially tailored to its application. To this end, either a conical or a cylindrical design can be chosen, the screw geometry is adapted, the screen perforation optimised, the drive designed etc.

According to requirements, pressing tests either on the customer's site or in a lab can be a useful supplement.

Technical Data



Fields of Application

- ! Brewer's spent grains
- ! Drug residues
- ! Eucalyptus fibres
- ! Barley mash
- ! Chicken feathers
- ! Spent coffee grounds (extracted)
- ! Compost, biological waste
- ! Plastic granulates, cellulose fibres, mineral fibres
- ! Corn husks, corn germs and wheat gluten
- ! Potato pulp (grated potatoes and potato peel)
- ! Salad and vegetable wastes, onion and fruit residues
- ! Citrus fruit peel and pectin
- ! Reject sludge, rejects
- ! Silage material (grass, rye, corn)

Press Type	A	B	C	D	E	F	G
Length max./mm	3300	3600	4100	5200	6350	7000	8000
Width/mm	800	800	950	1050	1350	1750	2300
Height/mm	1140	1140	1450	1800	1850	2100	2400
Weight max./kg	1300	1350	3000	5500	8000	14000	19000
Capacity max.	500	1000	3000	5000	15000	25000	60000